

Image 1

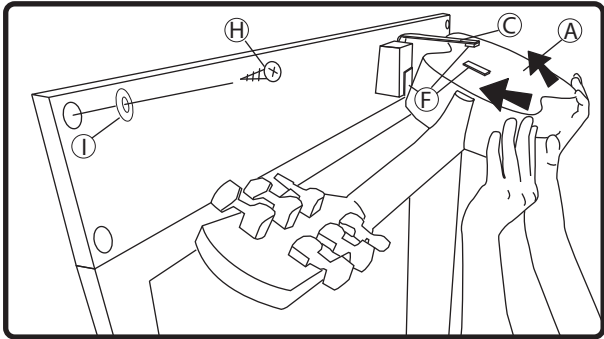


Image 2

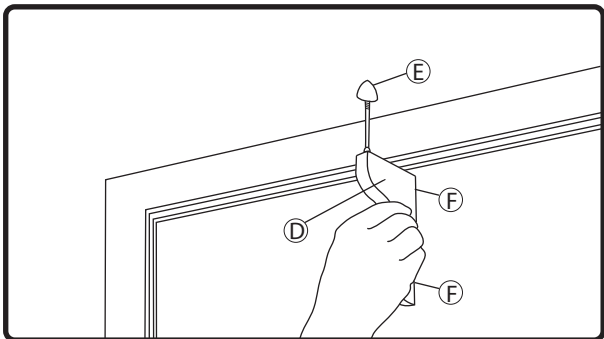


Image 3

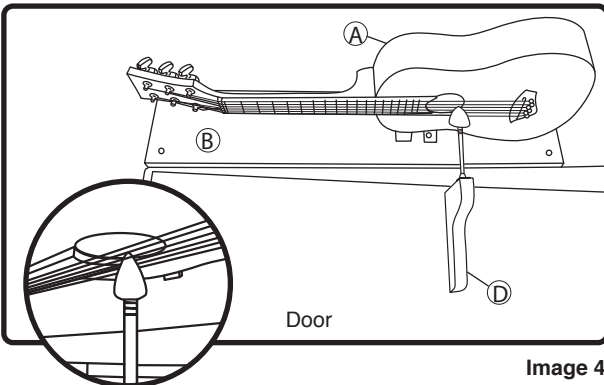


Image 4

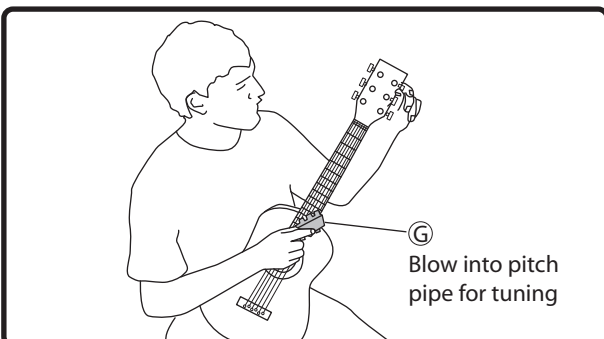
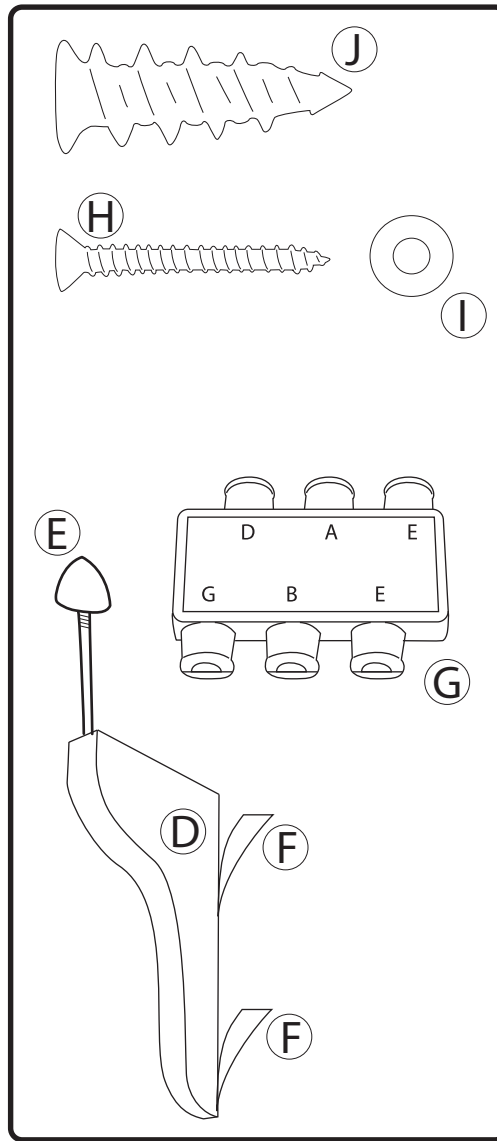


Image 5



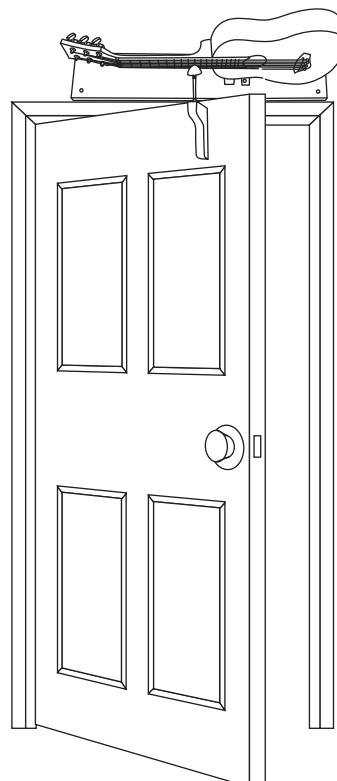
Included Parts:

- Guitdoorbell™ (A)
- Trophy Board (B)
- L- bracket (C)
- Striker Assembly (D)
- Plectrum (E)
- 3M™ Dual Lock™ Reclosable Fastener (F)
- Pitch Pipe (G)
- Mounting Hardware (4)
- screws (H), washers (I), wall anchors (J)

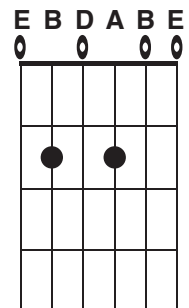
For further assistance,
visit our Q&A section on
the web at
www.guitdoorbell.com

For optimum safety and performance,
follow the instructions as directed and/or
consult a licensed building contractor.

Guitdoorbell™ is not responsible for
damage and/or injuries resulting from
improper use and/or installation of product.



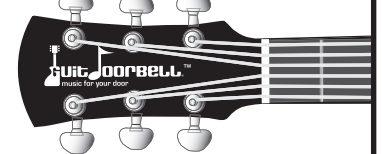
Chord Diagram



E7sus4

Classic Guitdoorbell™ Tuning

3-E 2-B 1-E



4-D 5-B 6-E